

Code	770970/770971
Size	15mm/22mm
WRAS Approval Number: 1301099	
TMV 2&3 Certified	
Maximum Working Pressure: 10.0 bar	
Maximum Operating Temperature: 85°C	
Material: CW602N	

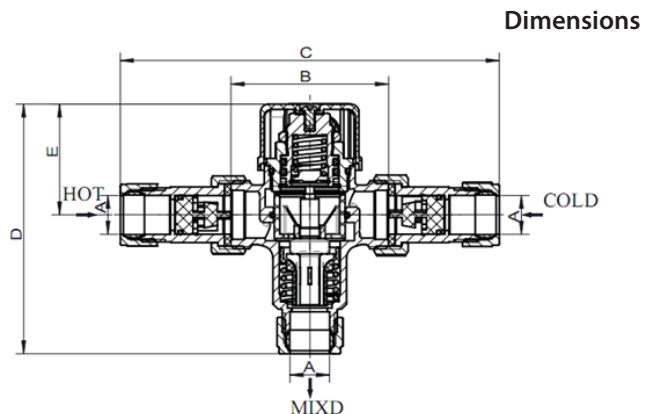


Description: Thermostatic mixing valve with brushed chrome brass body. Temperature can be manually adjusted under a fixed cap. Inlets incorporate single check valve cartridges and stainless steel strainer.

The valves are suitable for the following applications with the following supply conditions.

Code	Operating Pressure range	Application
HP-B	High pressure	Bidet - maximum temperature 38°C
HP-S	High pressure	Shower - maximum temperature 41°C
HP-W	High pressure	Washbasin - maximum temperature 41°C
HP-T44	High pressure	Tub/Bath - with fill temperature up to 44°C max.
HP-T46	High pressure	Tub/Bath - with fill temperature up to 46°C max.
LP-B	Low pressure	Bidet - maximum temperature 38°C
LP-S	Low pressure	Shower - maximum temperature 41°C
LP-W	Low pressure	Washbasin - maximum temperature 41°C
LP-T44	Low pressure	Tub/Bath - with fill temperature up to 44°C max.
LP-T46	Low pressure	Tub/Bath - with fill temperature up to 46°C max.

Note:
 Flow Pressure HP 0.5-5 bar LP 0.1-1 bar
 Supply Temperature Hot 55-65°C Cold 25°C
 Maximum Static Pressure 10bar



Model	DN Size	A	B	C	D	E
770970 (15mm)	15	15	60	144.5	97	43
770971 (22mm)	20	22	63	157.5	99	43