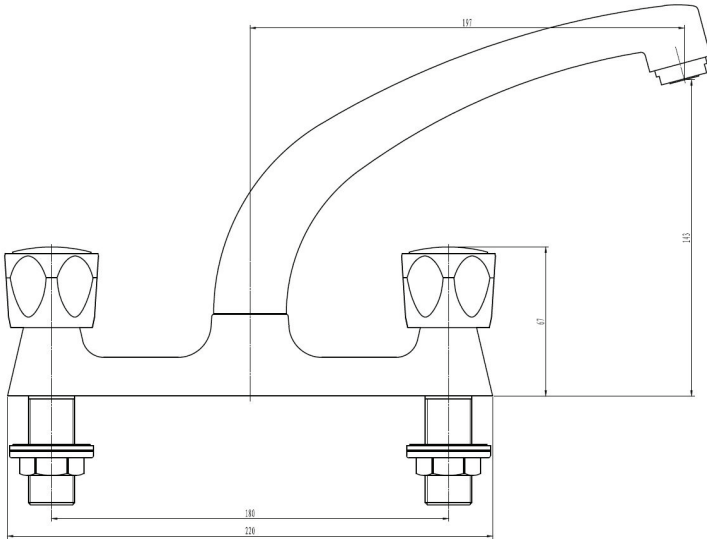


TECHNICAL SPECIFICATIONS

Product Code: 580006



Description	Contract Dual Flow Deck Sink Mixer
Box Qty	12
Pressure System	Dual Flow
Head	Brass Valve
Inlet	1/2" Flexi Hoses
Outlet	Aerator
Min/Max Operating Pressure	0.2 - 5 BAR



Sanbra Fyffe Ltd, CONEX Works Santry Ave, Dublin 9

Tel: 01 842 6255 Fax: 01 842 6134

sales@sanbra.ie www.sanbra.ie