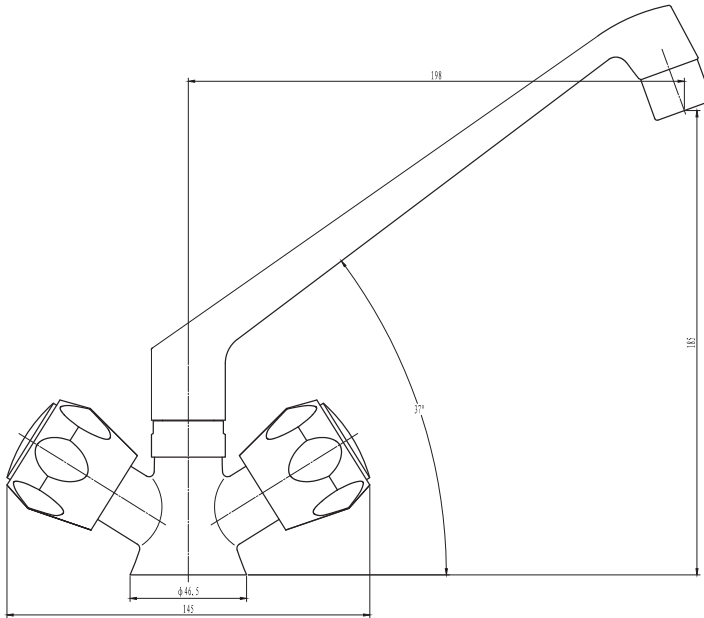


# TECHNICAL SPECIFICATIONS

Product Code: 580020



Description	B20 Contract Mono Bloc Sink Mixer
Box Qty	20
Pressure System	Dual Flow
Head	Brass Valve
Inlet	1/2" Flexi Hoses
Outlet	Aerator
Min/Max Operating Pressure	0.2 - 5 BAR



Sanbra Fyffe Ltd, CONEX Works Santry Ave, Dublin 9

Tel: 01 842 6255 Fax: 01 842 6134

sales@sanbra.ie www.sanbra.ie